



**CESAB**

**spec sheet**

# CESAB O110 – O110W

Orderpickers, 1.0 capacity



# CESAB O110 – O110W

## Truck Specifications

CHARACTERISTICS					
1.1	Manufacturer			CESAB	CESAB
1.2	Model designation			O110	O110W
1.3	Power unit			Electric	Electric
1.4	Operator type			Stand on	Stand on
1.5	Load capacity/rated load	Q	kg	1000	1000
1.6	Load centre	c	mm	600	600
1.8	Centre axle to fork face	x	mm	158	110
1.9	Wheelbase	y	mm	1351	1300
WEIGHT					
2.1	Service weight without battery		kg	1294	1162
2.2	Axle load, with load, drive/support arm wheels		kg	550/1149	558/1112
2.3	Axle load, without load, drive/support arm wheels		kg	1113/365	1105/338
WHEELS AND TYRES					
3.1	Drive/castor/support arm wheels			Polyurethane	Polyurethane
3.2	Wheel size front	Ø x width	mm	250 x 92	250 x 92
3.3	Wheel size rear	Ø x width	mm	140 x 80	140 x 80
3.4	Castor wheels	Ø x width	mm	-	-
3.5	Wheels, number front/rear (x=driven wheels)			1x/2	1x/2
DIMENSIONS					
4.2	Height, mast lowered	$h_1$	mm	1550	1550
4.4	Lift movement	$h_3$	mm	1020	1020
	Lift height	$h_{23}$	mm	1880	1100
4.5	Height, mast extended	$h_4$	mm	2570	2570
4.8	Stand height	$h_7$	mm	180	180
4.11	Additional lift	$h_9$	mm	780	-
4.14	Stand height, elevated	$h_{12}$	mm	1200	1200
4.15	Height, forks lowered	$h_{13}$	mm	80	80
4.19	Overall length	$l_1$	mm	2840	2744
4.20	Length to face of forks	$l_2$	mm	1690	1594
4.21	Overall width	$b_1$	mm	790	790
4.22	Fork dimensions	s/e/l	mm	62/115/1150	62/115/1150
4.25	Width over forks	$b_5$	mm	300-750	560, 655, 776
4.32	Ground clearance, centre of wheelbase	$m_2$	mm	70	70
4.35	Turning radius	$W_0$	mm	1540	1490
4.44	Clear width driver compartment entrance	$l_{24}$	mm	490	-
PERFORMANCES					
5.1	Travel speed with/without load <sup>1)</sup>		km/h	7,0/12,0	8,0/12,0
5.2	Lift speed with/without load		m/s	0,12/0,19	0,12/0,19
5.3	Lowering speed with/without load		m/s	0,33/0,36	0,33/0,36
5.8	Max. gradeability with/without load <sup>1)</sup>		%	9/13	9/13
5.10	Service brake			Electromagnetic	Electromagnetic
ELECTRIC MOTOR					
6.1	Drive motor, rating S2 60 min		kW	2,8	2,8
6.2	Lift motor S3 7%		kW	2,2	2,2
6.4	Battery voltage, nominal capacity $K_6$		V/Ah	24/465, 620	24/465, 620
6.5	Battery weight min./max.		kg	475-530	475-530
6.6	Energy consumption according to VDI cycle <sup>2)</sup>		kWh/h		
OTHERS					
8.1	Type of drive control			Powerdrive	Powerdrive
8.4	Sound level at driver's ear according EN 12 053		dB(A)	60	60

1) Measured according to Cesab company standards

2) Contact your CESAB dealer for more information

\*) Travel speed in fork direction: 6,0/10,5 km/h for all models

All data is based on the mentioned configuration, other configurations may give different values  
Truck performance and dimensions are nominal and subject to tolerances  
CESAB products and specifications are subject to changes without notice

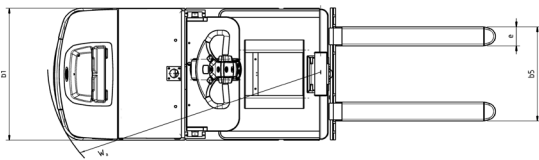
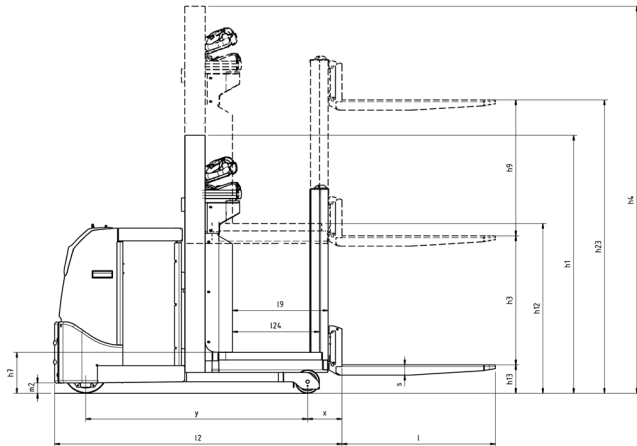


Orderpickers, 1.0 capacity

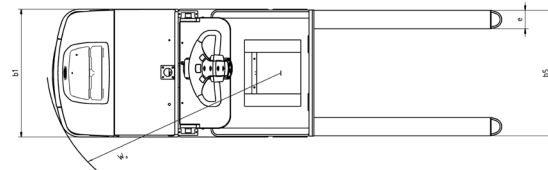
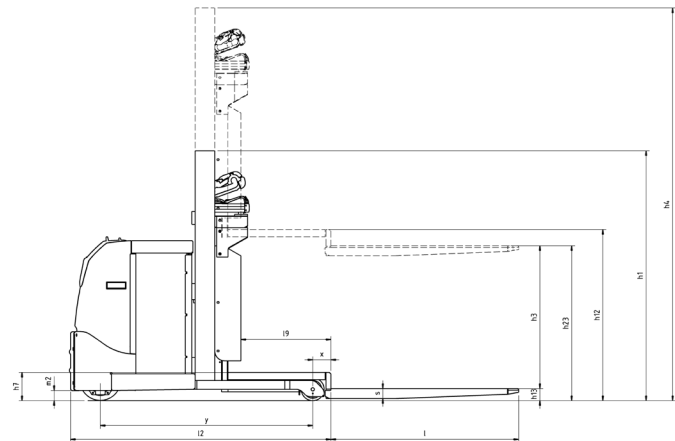
# CESAB O110 – O110W

## Dimensional Drawings

### CESAB O110

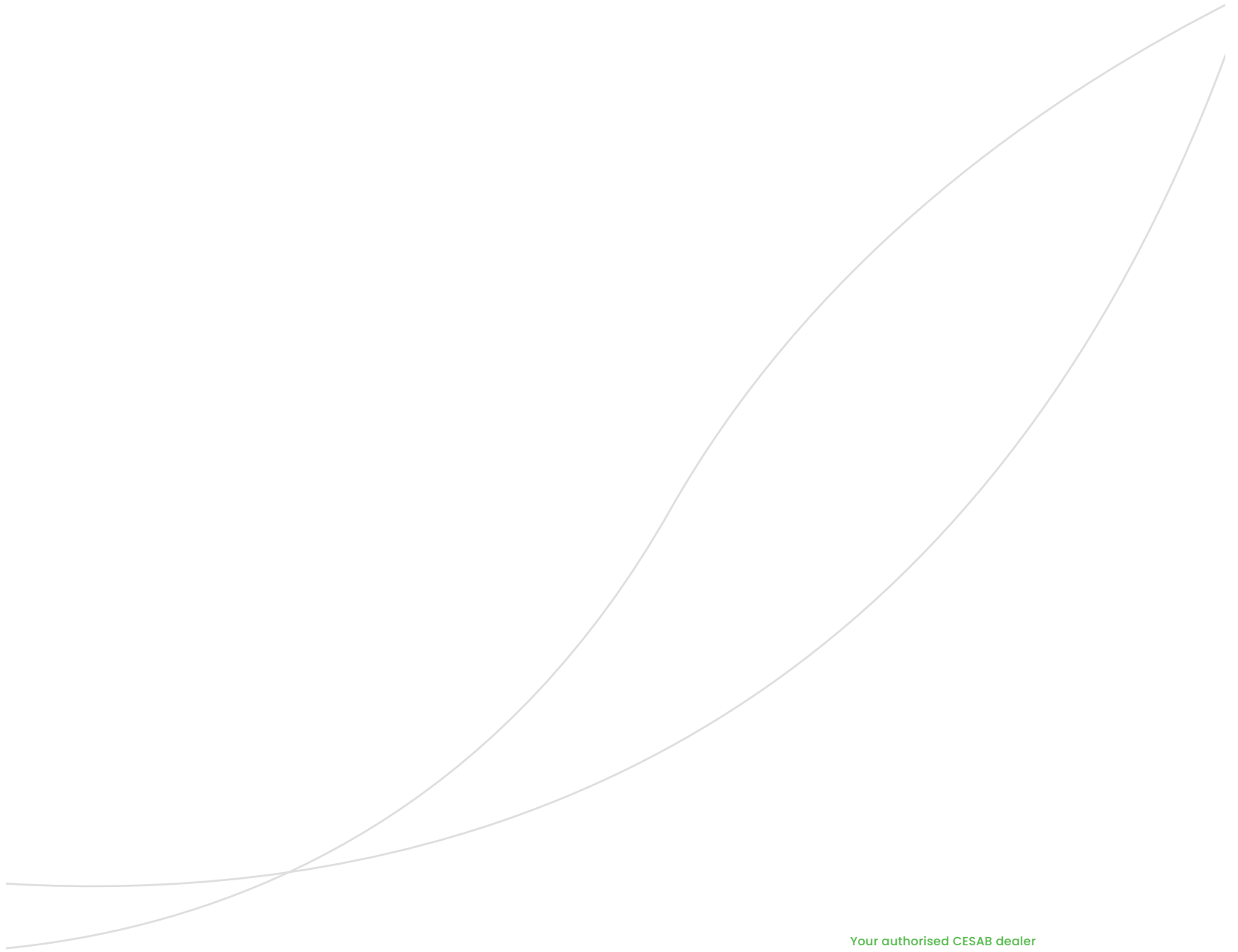


### CESAB O110W





[www.cesab-forklifts.eu](http://www.cesab-forklifts.eu)



Your authorised CESAB dealer

Pictures may show optional equipment not included in the basic truck price.  
The data in this specification sheet was determined based on our standard testing conditions.  
Operating performance may vary depending on the actual specification and condition of the truck  
as well as the condition of the operating area.

Availability and specifications are determined regionally and are subject to change without notice.  
Please consult your authorised CESAB dealership for further details. SPEC\_0110(W)\_EN\_2023 / Ucan V03 –  
Copyright CESAB Material Handling Europe.

