



**CESAB**

**spec sheet**

# CESAB O112 – O112P

Orderpickers, 1.2 tonnes capacity



# CESAB O112 – O112P

## Truck Specifications

CHARACTERISTICS					
1.1	Manufacturer			CESAB	CESAB
1.2	Model designation			O112	O112P
1.3	Power unit			Electric	Electric
1.4	Operator type			Stand on	Stand on
1.5	Load capacity/rated load	Q	kg	1200	1200
1.6	Load centre	c	mm	1200	1200
1.8	Centre axle to fork face, raised/lowered forks	x	mm	858/973	858/973
1.9	Wheelbase				
	short support arms, short/long chassis	y	mm	2042/2128	2042/2128
	long support arms, short /long chassis	y	mm	2157/2243	2157/2243
WEIGHT					
2.1	Service weight without battery, short/long chassis		kg	1184/1263	1184/1263
2.2	Axle load, with load, drive/castor/fork wheels				
	short chassis		kg	798/302/913	798/302/913
	long chassis		kg	725/110/1138	725/110/1138
2.3	Axle load, without load, drive/castor/fork wheels				
	short chassis		kg	545/407/246	545/407/246
	long chassis		kg	562/395/300	562/395/300
WHEELS AND TYRES					
3.1	Drive/castor/fork wheels			Polyurethane	Polyurethane
3.2	Wheel size front	Ø x width	mm	250 x 75	250 x 75
3.3	Wheel size rear	Ø x width	mm	85 x 74	85 x 74
3.4	Castor wheels	Ø x width	mm	150 x 78	150 x 78
3.5	Wheels, number front/rear (x=driven wheels)			1x +1/4	1x +1/4
DIMENSIONS					
4.2.1	Overall height	$h_{15}$	mm	1370	1370/2199
4.4	Lift movement	$h_3$	mm	715	715
	Lift height	$h_{23}$	mm	800	800
4.8	Stand height	$h_7$	mm	138	138/980
4.15	Height forks lowered	$h_{13}$	mm	85	85
4.19	Overall length, short/long chassis	$l_1$	mm	2556/2642	2556/2642
4.20	Length to face of forks, short/long chassis	$l_2$	mm	1406/1492	1406/1492
4.21	Overall width	$b_1$	mm	790	790
4.22	Fork dimensions	s/e/l	mm	70/180/1150	70/180/1150
4.25	Width over forks	$b_5$	mm	520-570	520-570
4.31	Ground clearance	$m_1$	mm	23	23
4.34	Aisle width Euro pallets 800 x 1200 lengthways	$A_{st}$	mm	2813	2813
4.35	Turning radius				
	short support arms, short/long chassis	$W_a$	mm	2271/2357	2271/2357
	long support arms, short /long chassis	$W_a$	mm	2386/2472	2386/2472
4.44	Clear width driver compartment entrance	$l_{24}$	mm	450	450
PERFORMANCES					
5.1	Travel speed with/without load		km/h	8,0/12,0	8,0/12,0
5.2	Lift speed with/without load		m/s	0,13/0,15	0,13/0,15
5.3	Lowering speed with/without load		m/s	0,22/0,18	0,22/0,18
5.8	Max. gradeability with/without load <sup>1)</sup>		%	5/5	5/5
5.10	Service brake			Electromagnetic	Electromagnetic
ELECTRIC MOTOR					
6.1	Drive motor, rating S2 60 min		kW	2,8	2,8
6.2	Lift motor S3 7%		kW	2,0	2,0
6.4	Battery voltage, nominal capacity $K_s$		V/Ah	24/620	24/620
6.5	Battery weight min./max.		kg	239/501	239/501
6.6	Energy consumption according to VDI cycle <sup>2)</sup>		kWh/h		
OTHERS					
8.1	Type of drive control			Powerdrive	Powerdrive
8.4	Sound level at driver's ear according EN 12 053		dB(A)	60	60

1) Measured according to Cesab company standards

2) Contact your CESAB dealer for more information

All data is based on the mentioned configuration, other configurations may give different values

Truck performance and dimensions are nominal and subject to tolerances

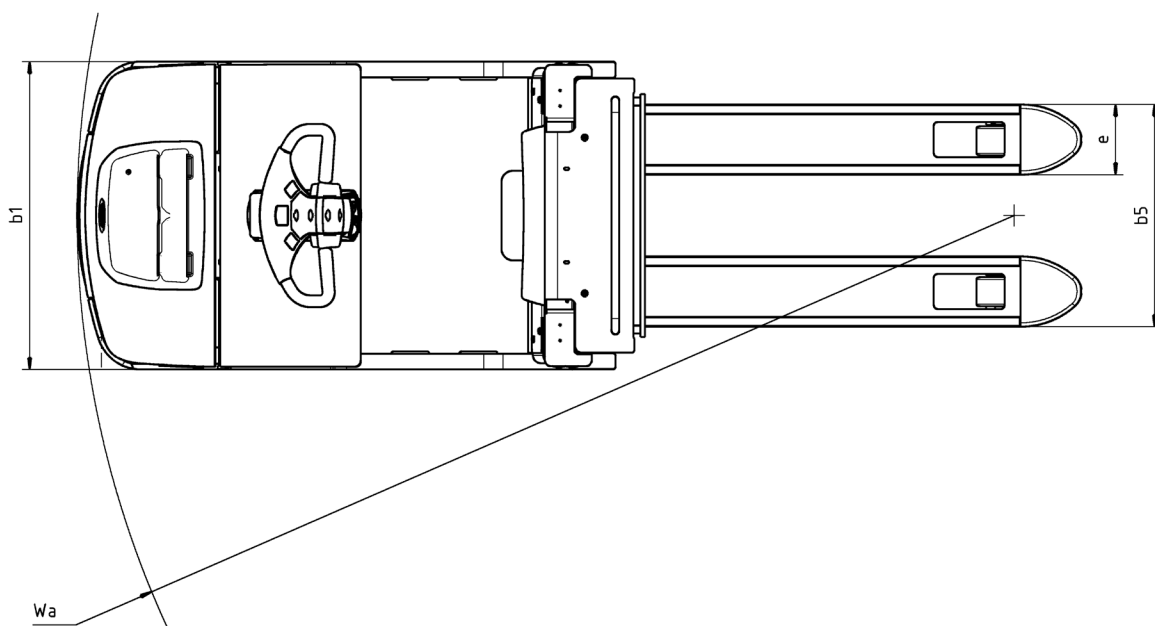
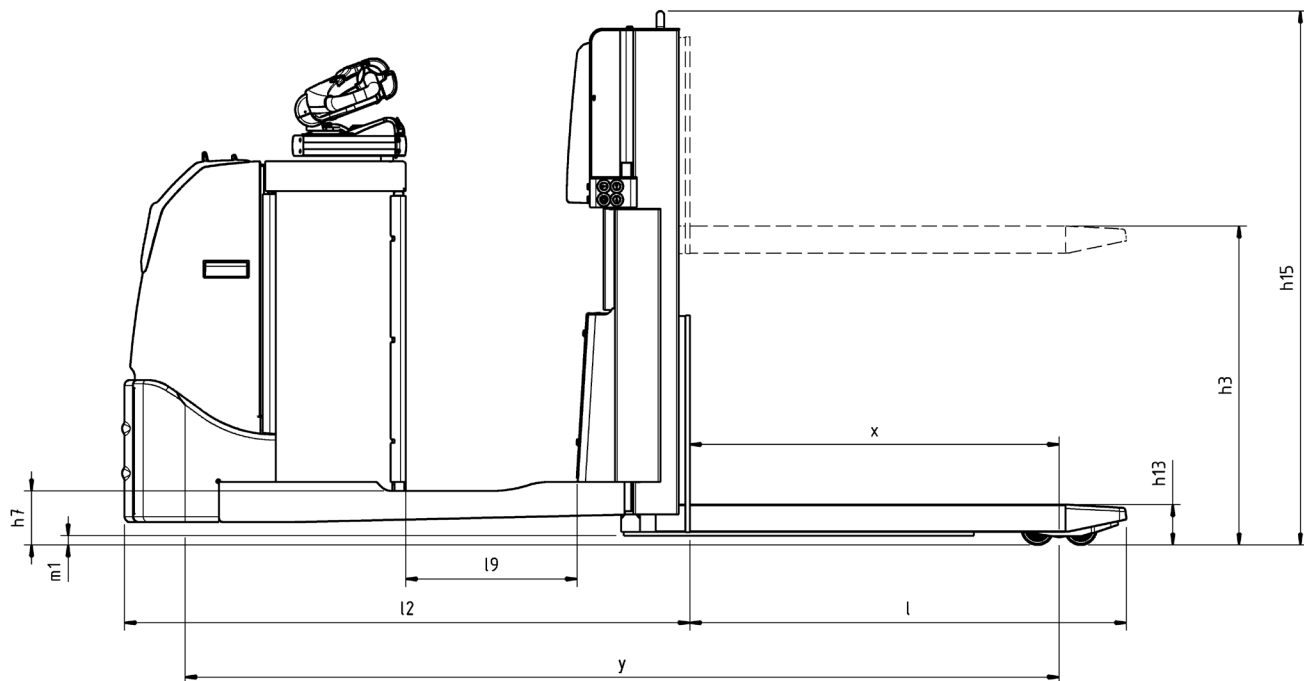
CESAB products and specifications are subject to changes without notice



Orderpickers, 1.2 tonnes capacity

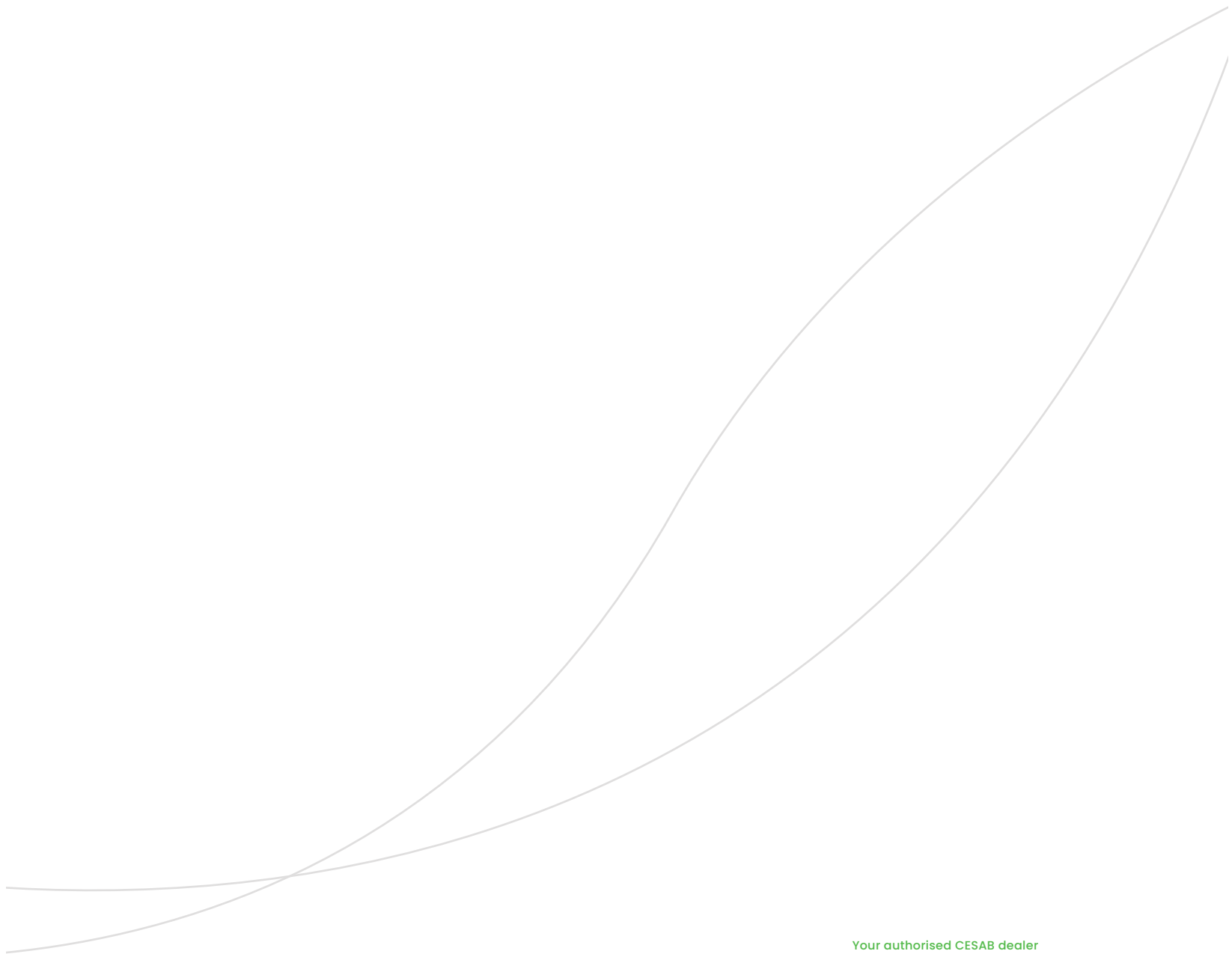
# CESAB O112 - O112P

## Dimensional Drawings





[www.cesab-forklifts.eu](http://www.cesab-forklifts.eu)



Your authorised CESAB dealer

Pictures may show optional equipment not included in the basic truck price.  
The data in this specification sheet was determined based on our standard testing conditions.  
Operating performance may vary depending on the actual specification and condition of the truck  
as well as the condition of the operating area.

Availability and specifications are determined regionally and are subject to change without notice.  
Please consult your authorised CESAB dealership for further details. SPEC\_OI12(P)\_EN\_2020 / Ucan V02 -  
Copyright CESAB Material Handling Europe.

